



Installation Manual

GM Rotary Compressor Mount

Small Block Chevy LWP Compressor Mount - 06-297
Pontiac Compressor Mount - 06-403
Oldsmobile Compressor Mount - 06-800





Congratulations...

You have just purchased the highest quality, best performing A/C Components ever designed for your Classic Vehicle.

To obtain the high level of performance and dependability our systems are known for, please pay close attention to the following instructions. Our installation steps and procedures are derived from a long history of research and development and the combined experience achieved through thousands of successful installations (and feedback from customers like you). Please remember that our #1 goal is that you'll have a successful installation and a system that performs at a very high level for many years to come.

Before starting, read the instructions carefully, from beginning to end, and follow the proper sequence. On the next page you'll find a safety and general checklist that you should read before starting your installation.

Again, thank you from our entire staff.



PRE-INSTALLATION:

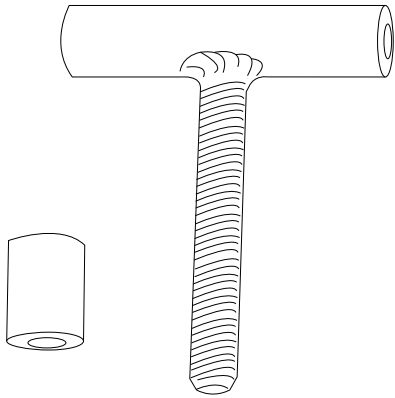
- Before beginning the installation, check the shipping box for the correct components.
- **If your vehicle has been or is being modified, some procedures will need to be adjusted to fit your particular application.**
- A basic cleaning of the engine compartment before beginning will make things go more smoothly.
- Check condition of engine mounts. Excessive engine movement can damage hoses to A/C and/or heater.
- **DISCONNECT THE BATTERY FIRST**
- **DISCHARGE THE SYSTEM NEXT;** You will want to have your system evacuated of all remaining refrigerant according to local laws. An A/C service shop can handle this for you.
- **TOOLS/MATERIALS REQUIRED:** A set of SAE Sockets and an SAE Wrench set

**If you have any technical questions, call us immediately, we will be glad to assist you.
Our toll-free number is listed on every page, we're here to help!**

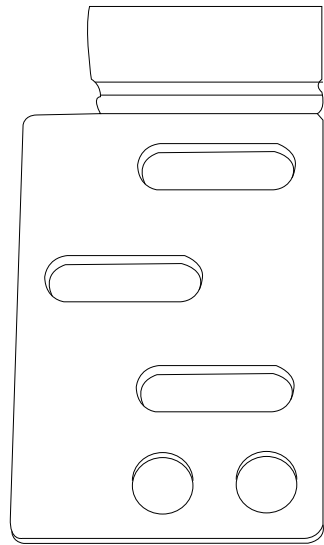
YOU CAN NOW BEGIN THE INSTALLATION...



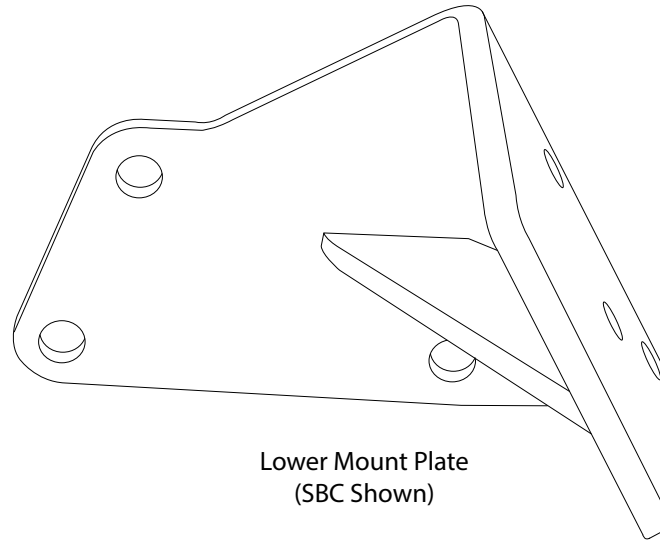
THESE ARE THE PARTS FOR YOUR COMPRESSOR MOUNT KIT
(Lower mount plate will vary by vehicle engine)



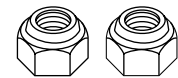
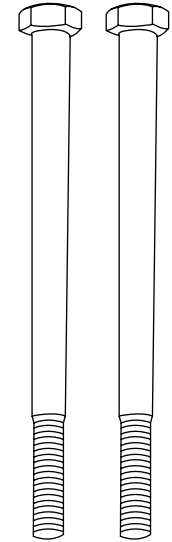
T-Adjuster w/ Spacer



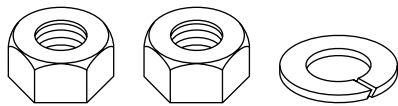
Upper Mount Plate



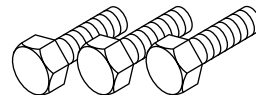
Lower Mount Plate
(SBC Shown)



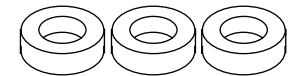
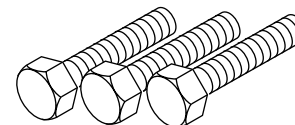
Compressor-to-Mount Hardware
(2x) 3/8 x 5" Bolts
(2x) 3/8" Nylock Nuts



T-Adjuster Hardware
(2x) 1/2" Hex Nuts
(1x) 1/2" Split Lock Washer



Upper-to-Lower Mount Hardware
(3x) 3/8" x 3/4" Bolts
(3x) 3/8" Split Lock Washers
(3x) 3/8" Flat Washers



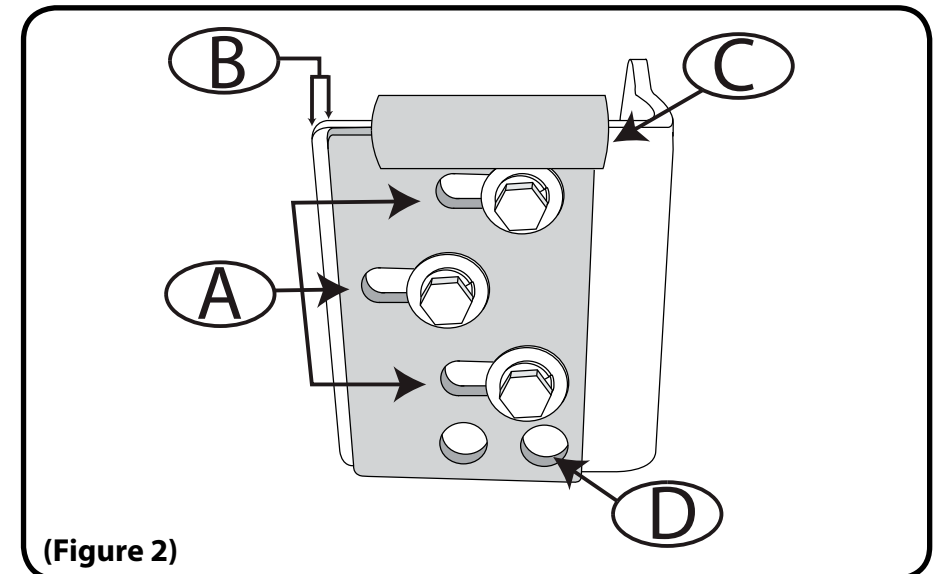
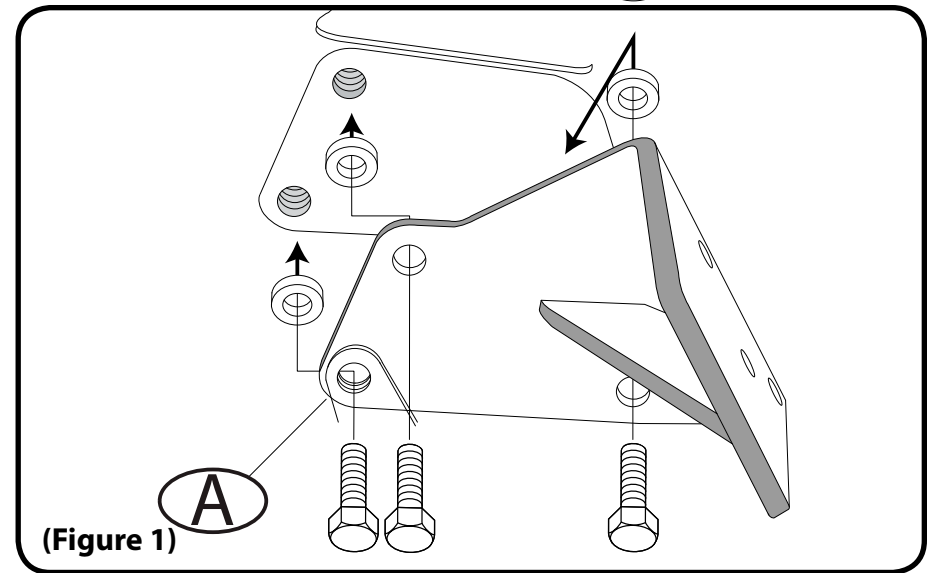
Lower Mount-to-Head Hardware
(3x) 3/8 x 1" Bolts
(3x) 1/4" Thick Spacers



COMPRESSOR INSTALLATION

The following steps are illustrated on a Small Block Chevy. The steps for installation on your vehicle are similar.

- Install the lower compressor mount to the head using (3x) 1" - 3/8" bolts and the (3x) 1/4" spacers. Spacers will mount between head and lower mount. **(Figure 1)**
- **SBC Application:** the left bracket bolt will fit through the factory power steering bracket, and then route through the new bracket and spacer. Now tighten the power steering pump and confirm belt has proper tension. **(Figure 1A)**
- Attach the upper compressor mount to the lower compressor mount using the (3x) 3/4" x 3/8" bolts with the lock washers and flat washers on top of the upper mount. **(Figure 2A)**
Attach loosely, this upper plate will need to be moved for belt alignment in future steps
- Attach the T-adjuster to the right lower tabs (facing unit) of the compressor. **(Figure 3A)**
It is critical that the fill plug is mounted upwards once the compressor is mounted.
- Place one of the T-adjuster 1/2" nuts on the adjuster to the end of the threads to allow for maximum adjustment. **(Figure 3A)**
- Align the compressor with the upper bracket fixed spacer. **(Figure 2C)**
Attach using the 1" spacer at the rear of the fixed spacer. **(Figure 3B)**
- Lower the compressor and T-adjuster into the rear adjuster hole. **(Figure 2D, 3C)**



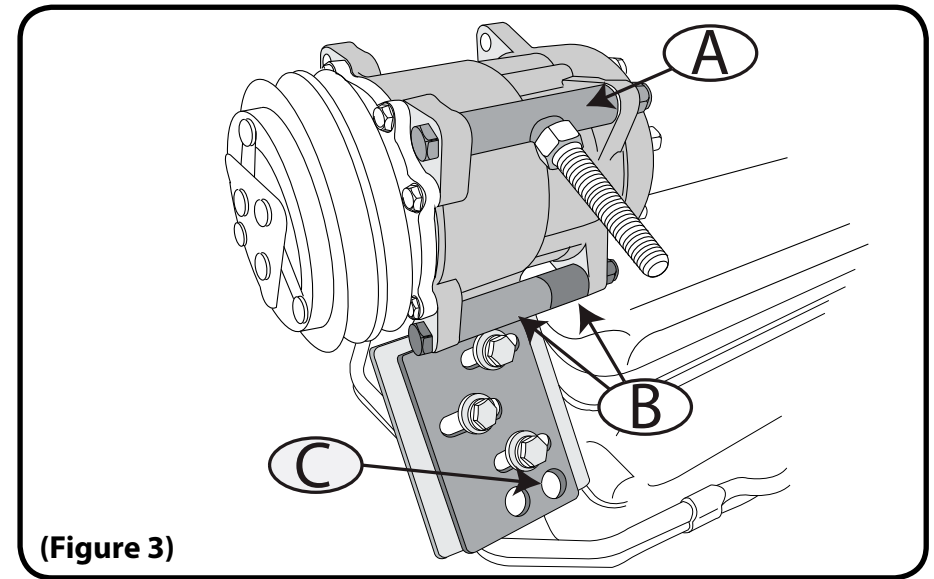


COMPRESSOR INSTALLATION CONT.

- Visually align the compressor pulley with the water pump pulley and the crankshaft pulley. Tighten one of the three 3/4" upper plate bolts.
- Raise the compressor, confirm that the leading edge of the upper and lower brackets are parallel. **(Figure 2B)** Tighten the remaining of the three bolts and lower compressor back into mount.
- Install the included belt, tension with the installed bolt on the T-adjuster.
- Install the second 1/2" nut and lock washer to the bottom of the T-adjuster bolt to lock the compressor at the correctly tensioned setting.

NOTES

- The T-Handle can be repositioned into the front hole on the upper mount and the 1" spacer can be installed in front of the tube on the upper mount to allow for a larger forward adjustment.



(Figure 3)

FINAL STEPS

Take a look around at your installation and check all fittings and bolts for tightness, and make sure nothing is routed in a way to obstruct any moving parts. You can reconnect the battery and re-install the belt at this time.